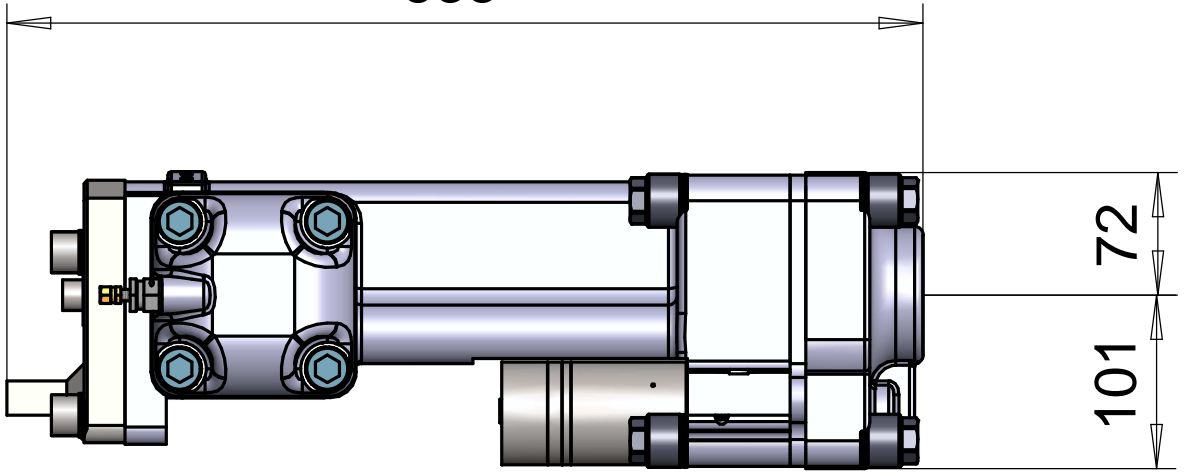
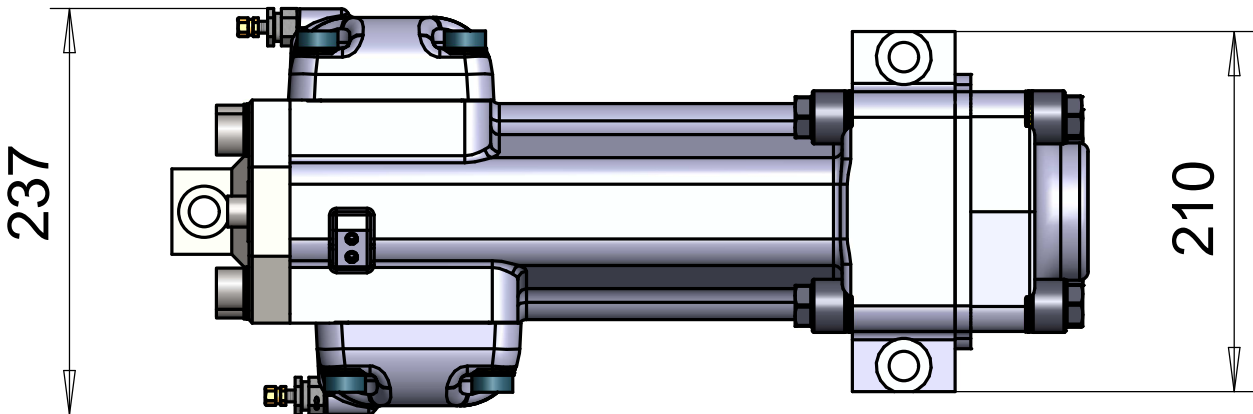


535



101
72

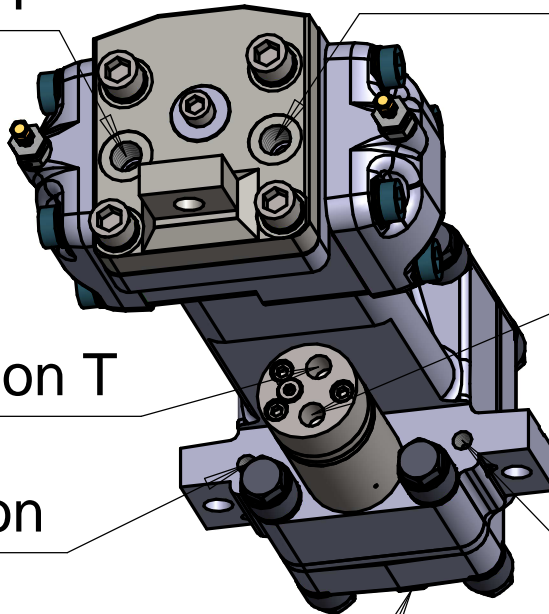


237

210

G1/2 Percussion T

G1/2 Percussion P



G3/8 Rotation P

G3/8 Rotation T

G1/4 Lubrication

G1/4 Flushing

Lubrication oil exit